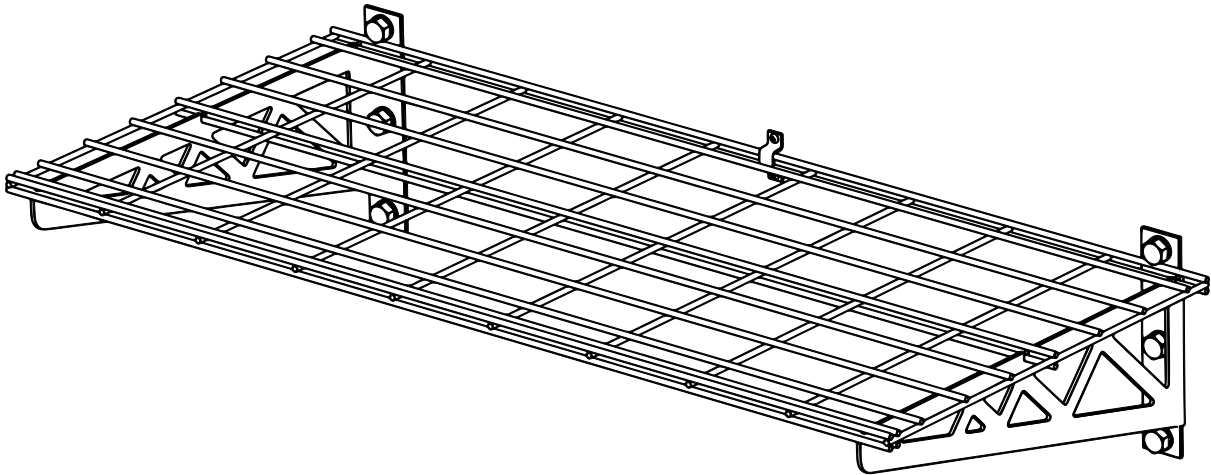




STEEL WALL SHELF

SR-WS1 18x48-W

SR-WS1 18x36-W



Assembly And Installation Instructions

1-877-655-3443 (English, Español)

7:00 am - 5:00 pm

Monday - Friday, Pacific Time, North America

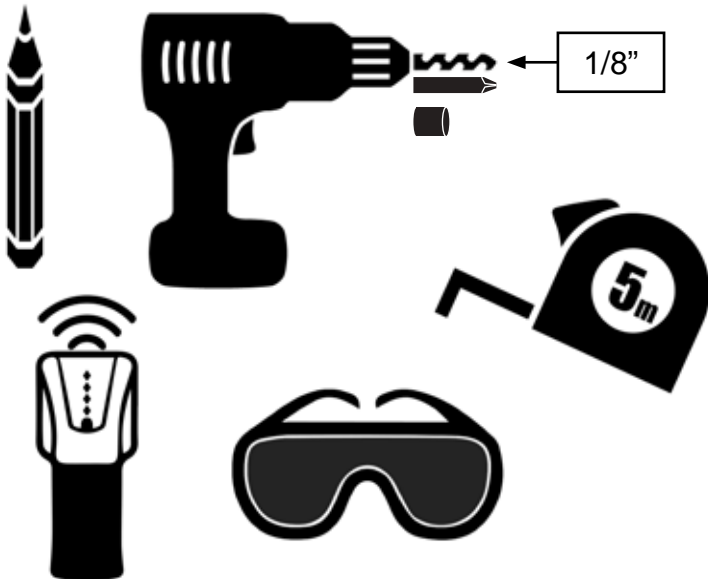
support@saferacks.com

www.saferacks.com

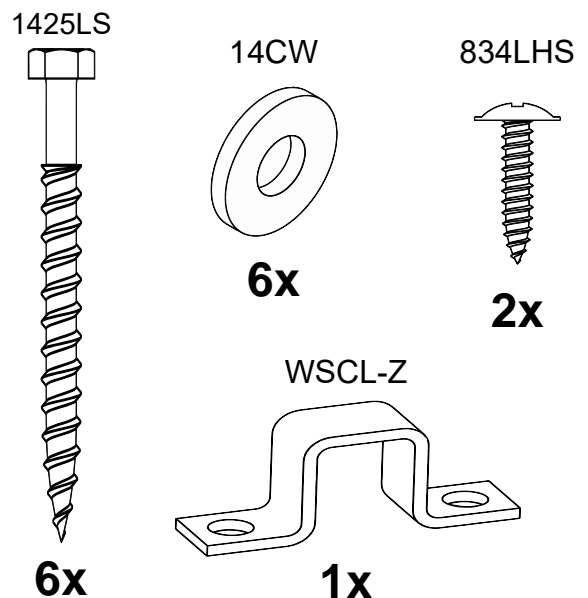
WARNINGS

- 250 lb capacity
- Install into Wood Studs ONLY
- Distribute weight evenly
- Objects can fall off shelf after loaded

Tools Required (Not Included)



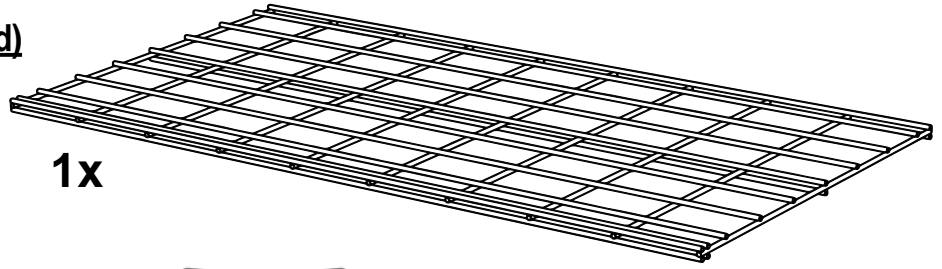
Hardware Required (Included)



Components Required (Included)

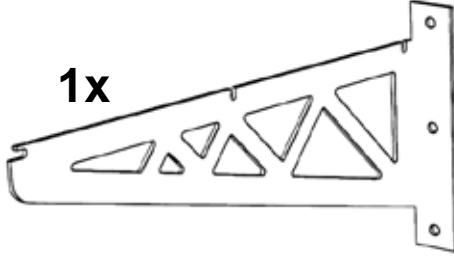
1848W
or
1836W

1x



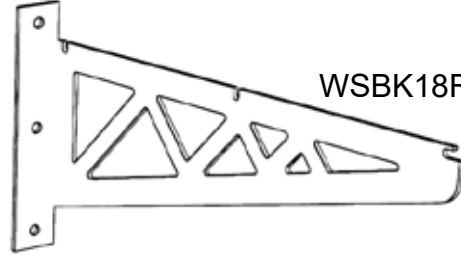
WSBK18LHW

1x

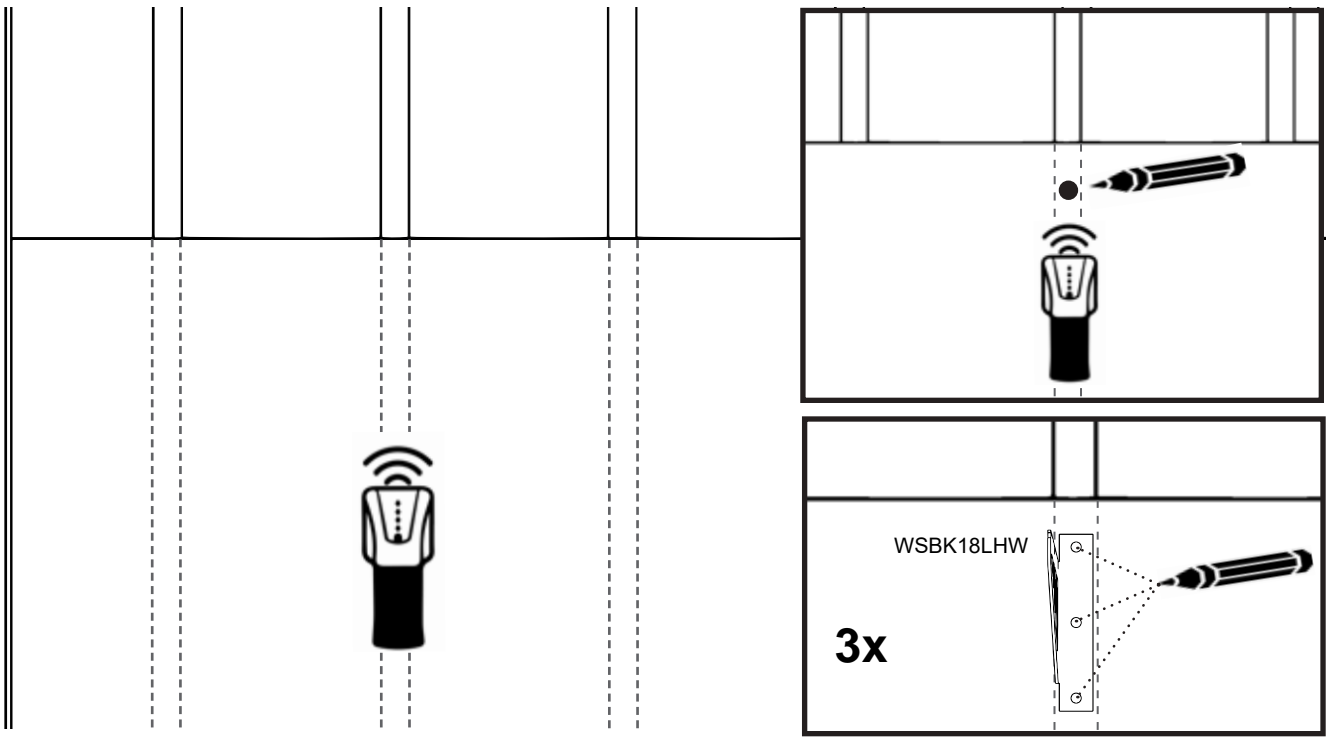


WSBK18RHW

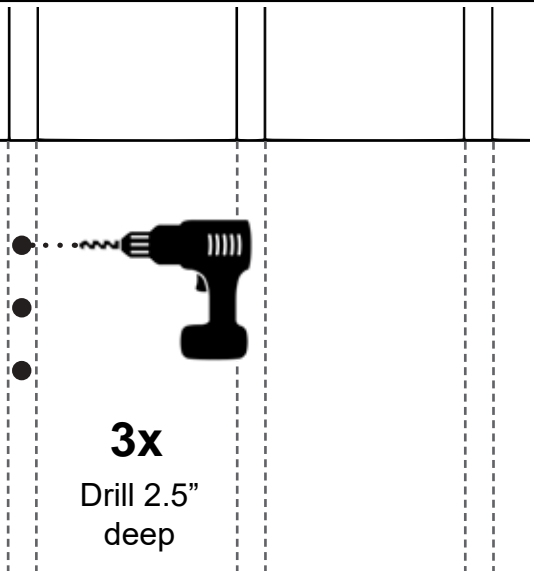
1x



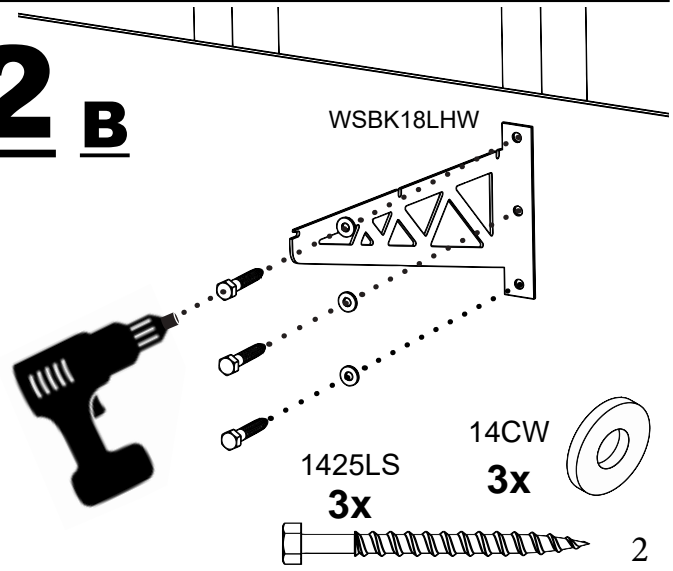
1



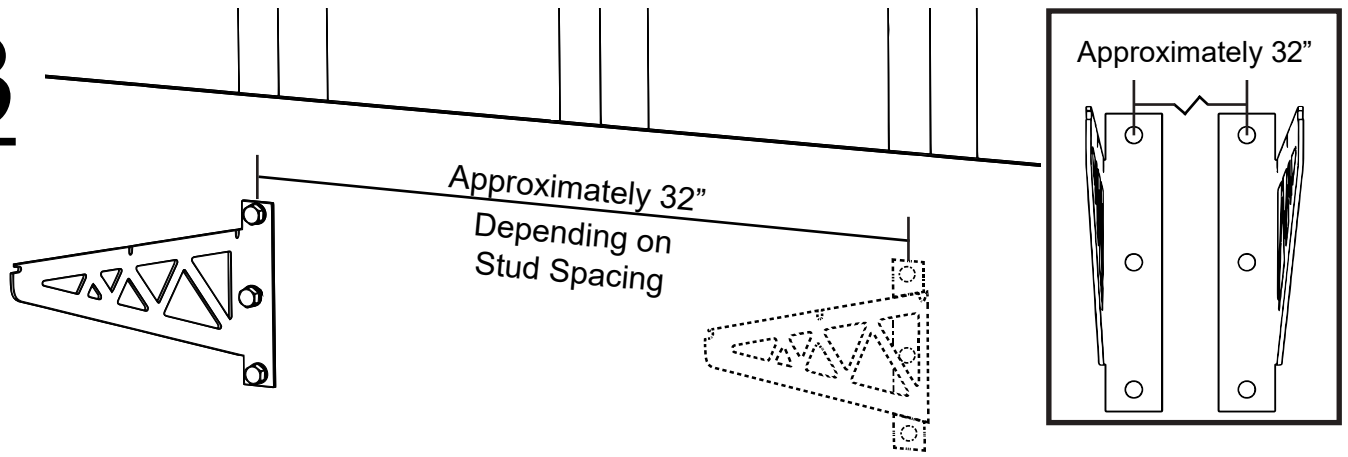
2 A



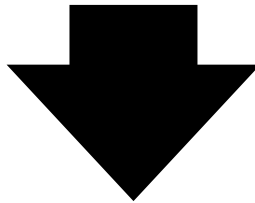
2 B



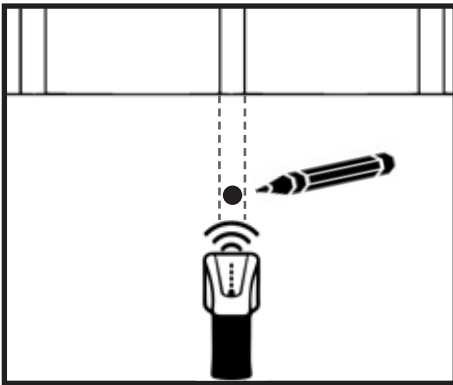
3



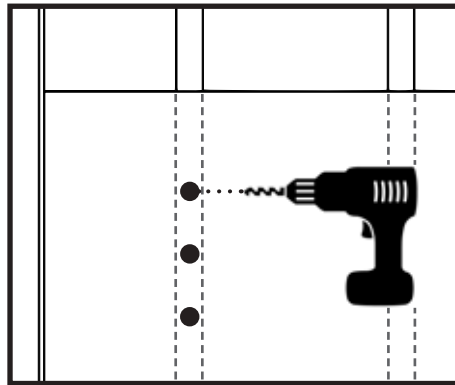
Repeat Steps 1-2B



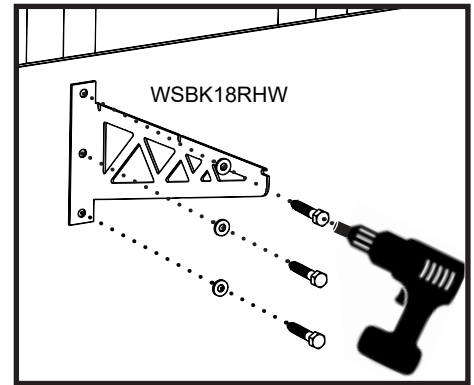
1x



1x

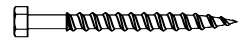


1x



14CW

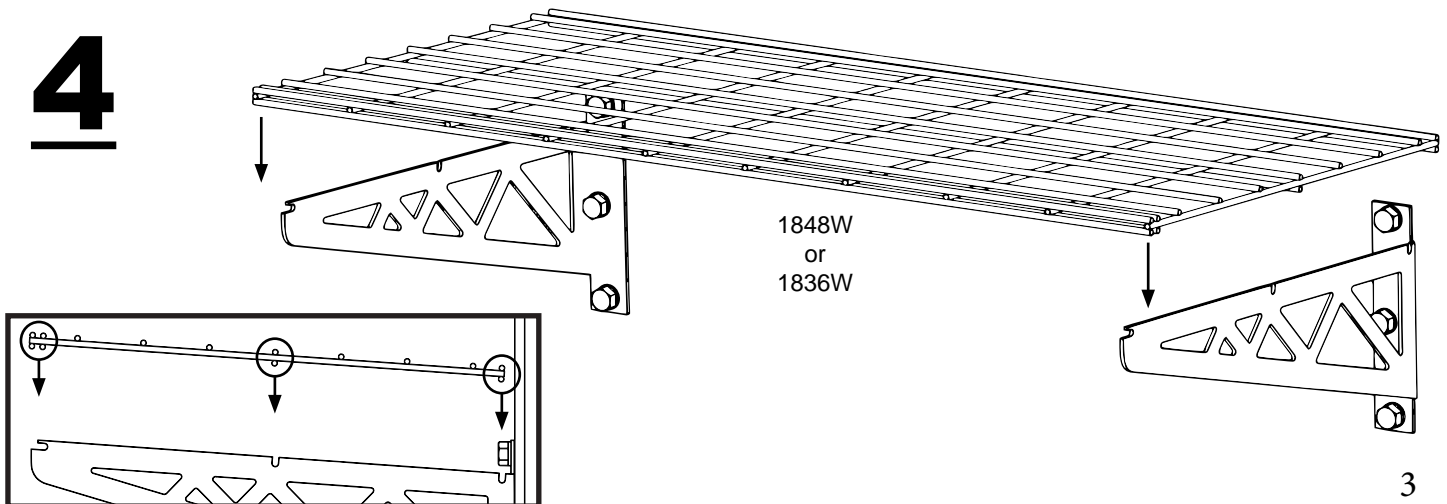
3x



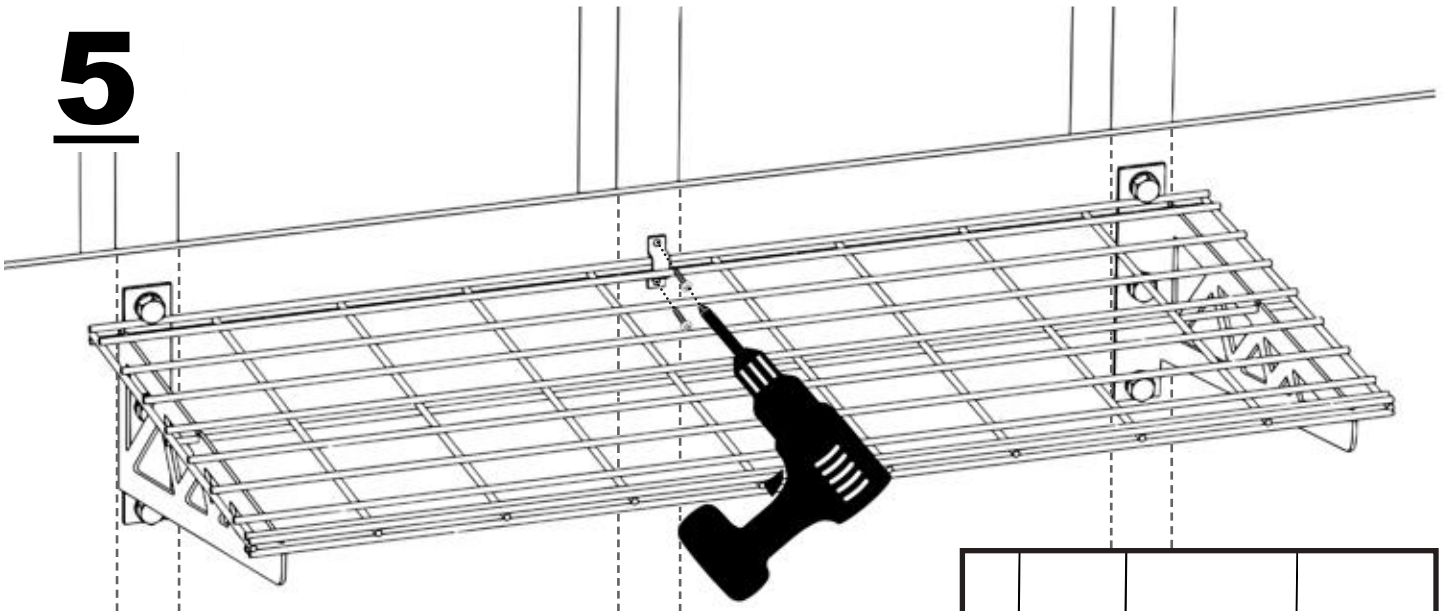
1425LS

3x

4

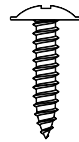
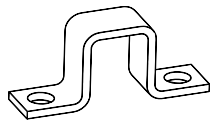


5



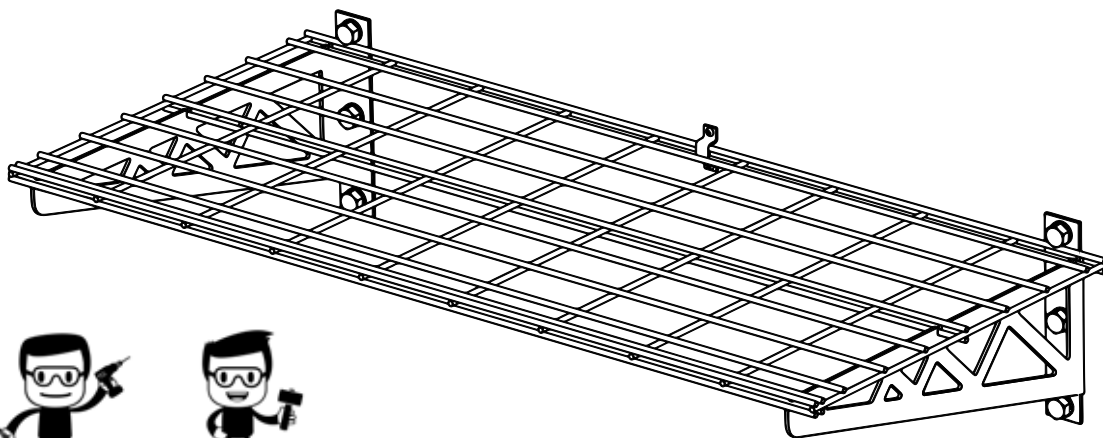
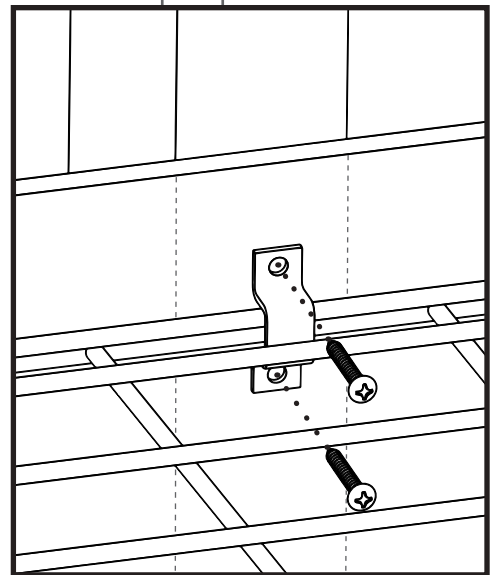
WSCL-Z

834LHS



1x

2x



WARRANTY

Limited Lifetime Warranty - U.S. Only
www.SafeRacks.com/warranty.php
P: 877-655-3443

U.S. Patents:
D716,581 / D697,785 / D553,401
7,152,535 / 7,357,262

© 2015-2016 Copyright
Eagle Industrial Group Inc.