

DVG54R7200V

SAMSUNG

Samsung Gas Dryer with Steam Sanitize+

7.4 cu. ft. Capacity DOE



Signature Features

Steam Sanitize+

- The Steam Sanitize+ cycle removes 99.9% of germs and bacteria, over 95% of pollen, and kills 100% of dust mites¹. Multi-Steam Technology steams away wrinkles, odors, and static.

Sensor Dry

- Automatically optimizes the time and temperature of your drying cycle to protect your clothes from heat damage, while avoiding excess energy use.

Vent Sensor

- Vent Sensor continually monitors the condition of your dryer's air duct to ensure it is operating safely and efficiently.

Available Colors



Fingerprint Resistant
Black Stainless Steel (shown)



White



Steam Sanitize+



Sensor Dry

Features

- Steam Sanitize+
- Sensor Dry
- Vent Sensor
- Smart Care²
- Interior Drum Light
- Reversible Tinted Door
- 3-Way Venting
- Stainless Steel Drum
- Accessibility (AUI, Braille)
- 10 Preset Drying Cycles
- 9 Additional Drying Options
- 5 Temperature Levels
- LED Display: Ice Blue

Convenience

- Child Lock
- Lint Filter Indicator

¹Based on internal testing and independently verified by Intertek. Individual results may vary.

²Requires Samsung Smart Washer/Dryer App. The Samsung Smart Washer/Dryer app supports Android OS 2.3.6 or later and iOS 3 or later for iPhone models. Smart Washer/Dryer App available in App Store and Play Store

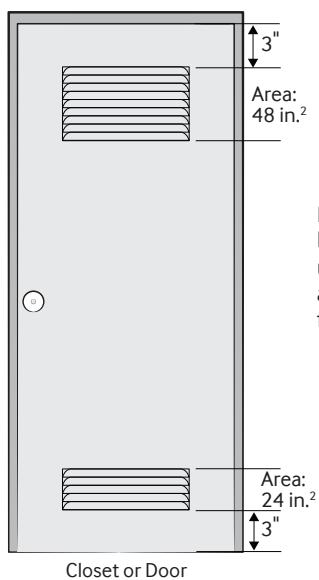
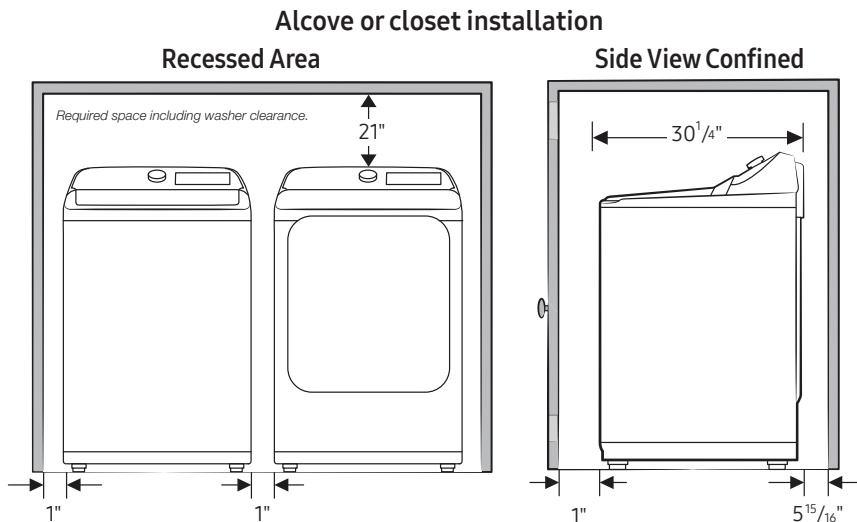
DVG54R7200V

SAMSUNG

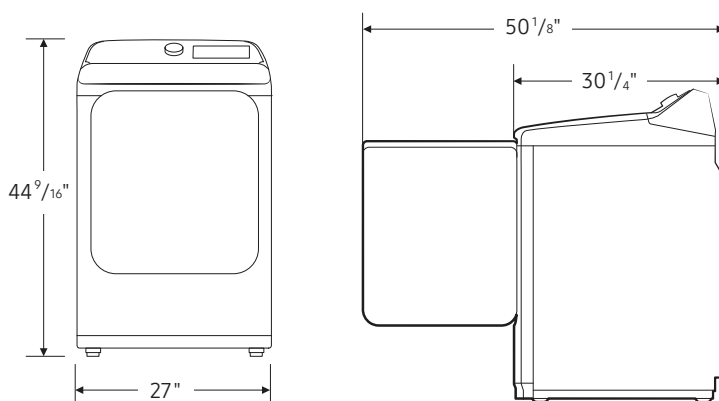
Samsung Gas Dryer with Steam Sanitize+

7.4 cu. ft. Capacity DOE

Installation Specifications



Dimensions



3-Way Venting

10 Preset Drying Cycles:

Refresh, Steam Sanitize+, Wrinkle Away, Normal, Heavy Duty, Permanent Press, Bedding, Delicates, Time Dry, Air Fluff

9 Additional Drying Options:

Damp Alert, Wrinkle Prevent, Adjust Time (Up), Adjust Time (Down), Child Lock, Alarm Off, Eco Dry, Smart Care, Drum Light

5 Temperature Levels:

High, Medium High, Medium, Medium Low, Low

5 Dry Levels:

More Dry, Normal-More Dry, Normal Dry, Normal-Less Dry, Less Dry

Warranty

One (1) Year Parts and Labor

Product Dimensions & Weight (WxHxD)

Dimensions: 27" x 44 9/16" x 30 1/4"

Weight: 119 lbs

Shipping Dimensions & Weight (WxHxD)

Dimensions: 29 9/16" x 46 15/16" x 31 3/16"

Weight: 126 lbs

Gas

Fingerprint Resistant
Black Stainless Steel
White

Model

DVG54R7200V
DVG54R7200W

UPC Code

887276348001
887276348018

Electric

Fingerprint Resistant
Black Stainless Steel
White

DVE54R7200V
DVE54R7200W

887276347967
887276347974

Matching Washer

Fingerprint Resistant
Black Stainless Steel
White

WA54R7200AV
WA54R7200AW

887276300559
887276300566

Accessories

Vent Kit

DV-2A

887276146416